

# BADU® Prime Neo VS

Immerse yourself in a new era of water treatment and pump technology that combines efficiency and intelligence.

## Field of application

Swimming pool water circulation through a filter system. The pump can be installed max. 3 m above or below water level.

## Design

Monoblock-type pump with integrated strainer tank. The bellow-type mechanical seal is mounted on a plastic shaft protector sleeve.

Motor/pump shaft has no contact with the pool water providing complete electrical separation.

Strainer tank capacity ..... approx. 3 l

Strainer basket mesh size ..... approx. 3.2 x 2.6 mm

Can be controlled using the BADU NetLink remote control. See page 136.

## Materials used

Pump casing .....	PP GF 30
Intermediate housing .....	PP TV 40
Gland housing .....	PP TV 40
Diffuser .....	PA 66 GF 30
Impeller .....	PP GF 30
Strainer basket.....	PP
Lid .....	PC, transparent/PA 66 GF 30
Mechanical seal .....	carbon/ceramic/NBR
Screws .....	stainless steel
Elastomers .....	NBR/Viton

Circulation pumps, energy-saving

Technical data at 50/60 Hz	BADU	Prime Neo VS
Inlet Sa/outlet connection Da Rp <sup>2)</sup>		2/1½
Rec. inlet/outlet pipe, PVC pipe, d <sup>4)</sup>		63/63
Power input P <sub>1</sub> /output P <sub>2</sub> <sup>1)</sup> (kW)	1~ 230 V	0.03-1.40/0.01-1.10
Rated current (A)	1~ 230 V	0.50-6.10
Sound pressure level Lpa (1m) [dB(A)]		34.4-61.3

For more detailed information regarding the motor protection please see page 167.

Technical data may vary.

Article no	Description	Voltage	Power output P <sub>2</sub>	Net RRP	Gross RRP <sup>7)</sup>
219.7203.038	BADU Prime Neo VS	1~ 230 V	1.10 kW	1,367.60 €	1,627.44 €

Universal opening device included in delivery. See page 156.



< New generation of motors with extended control options

Circulation pumps, energy-saving



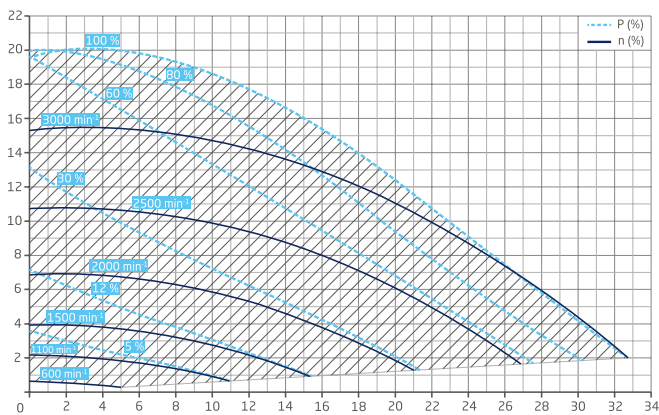
www.tuv.com  
ID 0000021507



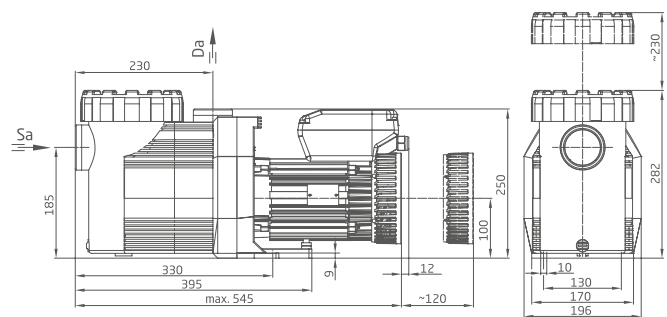
Pending approval.



### Characteristics



### Dimensions



Detailed dimensions available on request or at badu.de

^ Total dynamic head H (m) / Flow rate Q (m³/h) >